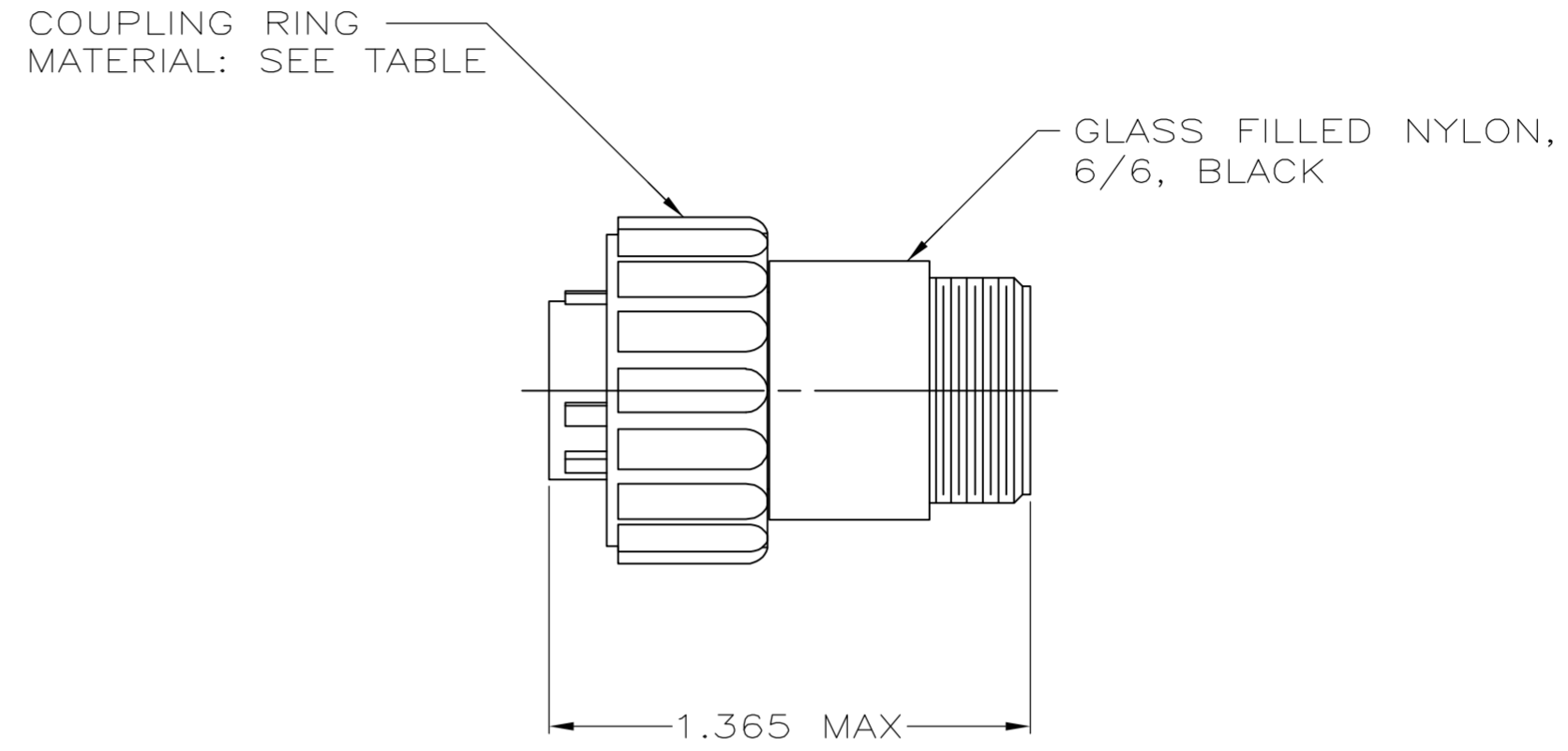
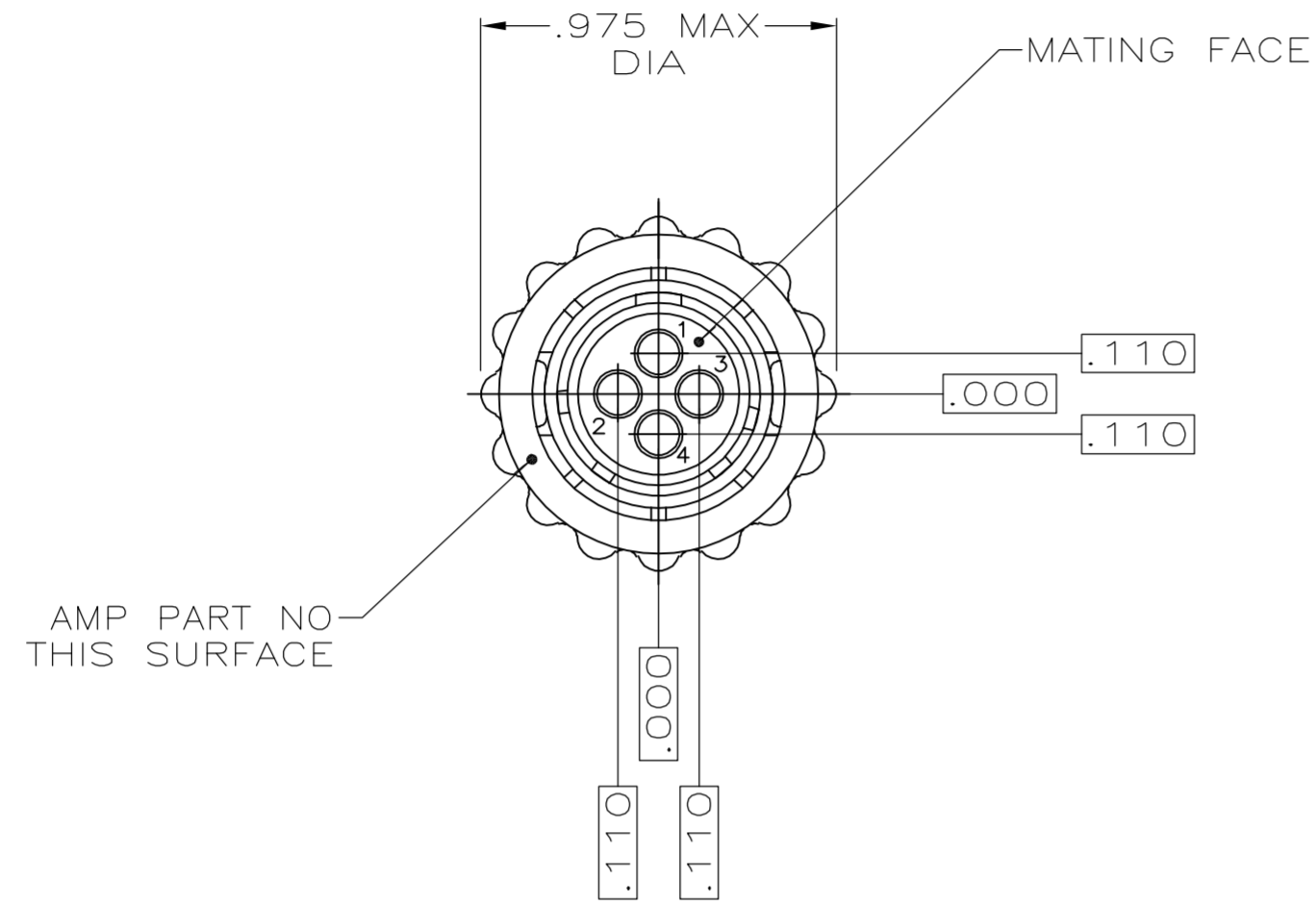


THIS DRAWING IS UNPUBLISHED. RELEASED FOR PUBLICATION  
 © COPYRIGHT BY TYCO ELECTRONICS CORPORATION. ALL RIGHTS RESERVED.

LOC		DIST		REVISIONS			
P	LTR	DESCRIPTION		DATE	DWN	APVD	
FT	0	D1	REVISED PER ECO-05-675		8/30/05	SS	SH



1. CONTACT CAVITIES IDENTIFIED BY CHARACTERS ON FRONT AND REAR FACES OF CONNECTOR.
2. THIS CONNECTOR WILL ACCEPT FOUR (4) MULTIMATE PIN CONTACTS.

DIE CAST ZINC	206429-2
POLYESTER, BLACK	206429-1
COUPLING RING MATERIAL	PART NUMBER

THIS DRAWING IS A CONTROLLED DOCUMENT.		DWN	S.RIDGLEY	BG	8/2/90	<b>tyco</b> Tyco Electronics Corporation Harrisburg, PA 17105-3608	
DIMENSIONS: INCHES		CHK	R.STONE		04/26/91		
TOLERANCES UNLESS OTHERWISE SPECIFIED:		APVD	-			NAME	
0 PLC ± -		PRODUCT SPEC	-			PLUG ASSEMBLY, SHELL	
1 PLC ± -		APPLICATION SPEC	-			SIZE 11, REVERSE SEX,	
2 PLC ± -		WEIGHT	-			SERIES 1, CPC	
3 PLC ± -		SCALE	2:1			RESTRICTED TO	
4 PLC ± -		SHEET	1 of 1			-	
ANGLES ± -		REV	D1			-	
FINISH		MATERIAL		-		-	
-		CUSTOMER DRAWING		-		-	